



WP-8121-CE7/WP-8421-CE7/WP-8821-CE7

1/4/8-slot Standard PAC with Cortex-A8 CPU and WinCE 7.0

Features

- Windows CE 7.0
- Cortex-A8 (1.0 GHz)
- 512 MB DDR3 and 256 MB Flash
- Hard Real-Time Capability
- 64-bit Hardware Serial Number
- Rich I/O Expansion Ability (RS-232/RS-485, FRnet, CAN)
- Redundant Power Input
- Operating Temperature: -25 ~ +75 °C



Introduction

The WP-8000-CE7 is the new generation Windows CE 7.0 based PAC (Programmable Automation Controller) of ICP DAS. Each WP-8000-CE7 is equipped with a Cortex-A8 (1.0 GHz) CPU running a Windows CE 7.0 operating system, a variant of input/output ports (VGA, USB, Ethernet, RS-232/485), and 1/4/8 expansion I/O slots that can be used to integrate high performance I-8K (parallel-type) and I-87K (serial-type) series I/O modules.

Its operating system, Windows CE 7.0, has many advantages, including hard real-time capability, small core size, fast boot speed, interrupt handling at a deeper level, achievable deterministic control and low cost. Using Windows CE 7.0 in the WP-8000-CE7 gives it the ability to run PC-based Control software such as Visual Basic.NET, Visual C#, Visual C++, SCADA software, Soft PLC ...etc.

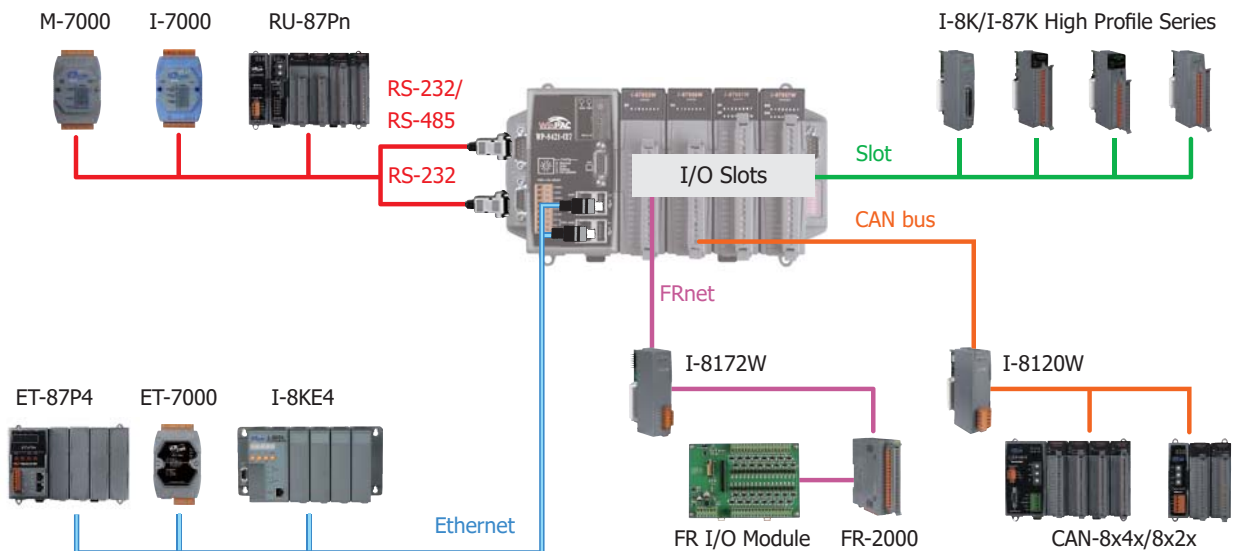
Windows CE 7.0



Windows CE 7.0 is a compact and real-time OS used to quickly create time critical and high performance applications. Using Windows CE 7.0 gives an ability to run PC-based control software such as Visual Basic .NET, Virtual C#.

- FTP Server
- Web Server
- SQL Compact Edition 3.5
- .NET Compact Framework 3.5
- Virtual CE Pro (VCEP)

Applications

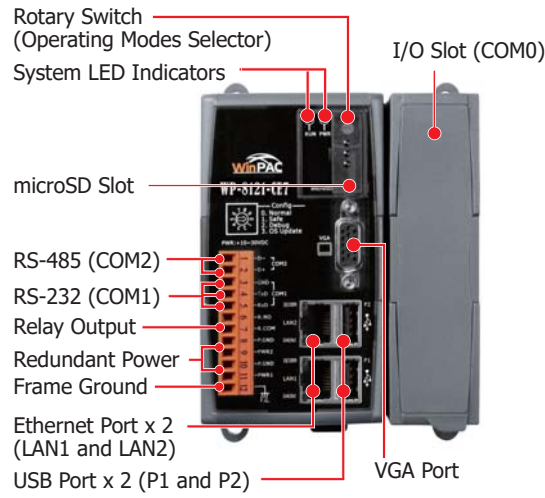


Specifications

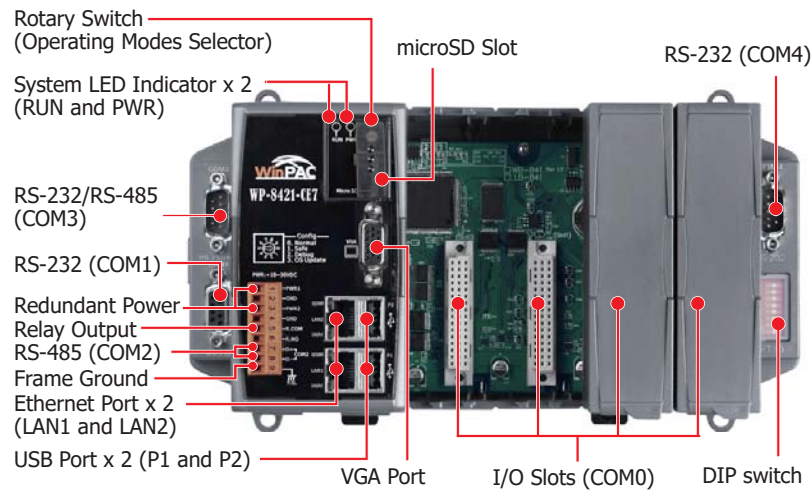
Model	WP-8121-CE7	WP-8421-CE7	WP-8821-CE7
Software			
OS	Windows CE 7.0		
Framework Support	.Net Compact Framework 3.5		
Service	FTP Server, Web Server (Supports VB script, JAVA script), Embedded SQL Server		
SDK	DII for VC, DII for Visual Studio.Net 2008		
Multilanguage Support	English, German, French, Spanish, Russian, Italian, Korean, Simplified Chinese, Traditional Chinese		
Main Unit			
CPU	Cortex-A8, 1.0 GHz		
SDRAM	512 MB DDR3		
MRAM	512 KB		
Flash	256 MB		
EEPROM	16 KB		
Storage	4 GB microSD card (up to 32 GB)		
RTC (Real Time Clock)	Provide seconds, minutes, hours, dates, day of week, month, year		
64-bit Hardware Serial Number	Yes, for software copy protection		
Watchdog Timer	Dual Watchdog Timer		
Rotary Switch	1 x 10 Position (0 ~ 9)		
Buzzer	Yes		
Display			
VGA Resolution	800 × 480, 800 × 600, 1024 × 768		
LED Indicators	1x Power, 1 x System/Programmable		
Communication Ports			
Ethernet	2 x RJ-45, 10/100/1000 Based-TX (Auto-negotiating, Auto MDI/MDI-X, LED indicators)		
USB 2.0 (host)	2		
COM 0	Internal communication with the high profile I-87K series modules in slots		
COM 1	RS-232 (Rx/D, Tx/D and GND); Non-isolation		
COM 2	RS-485 (Data+, Data-);self-tuner ASIC inside; 3000 VDC isolated		
COM 3	RS-232/485 (Rx/D, Tx/D, CTS, RTS and GND for RS-232; Data+, Data- for RS-485); Non-isolation		
COM 4	RS-232 (RXD, TXD, CTS, RTS, DSR, DTR, CD, RI and GND); Non-isolation		
I/O Expansion			
I/O Type	I-8K, I-87K series		
Slots	1	4	8
Mechanical			
Dimension (W x L x H)	95 mm x 132 mm x 111 mm	231 mm x 132 mm x 111 mm	355 mm x 132 mm x 111 mm
Ingress Protection Rating	IP30 (Aluminum)		
Installation	DIN-Rail, Wall mounting		
Environmental			
Operating Temperature	-25 ~ +75 °C		
Storage Temperature	-30 ~ +80 °C		
Humidity	10 ~ 90 % RH, Non-condensing		
Power			
Input Range	+10 ~ 30 VDC (1 kV Isolated)		
Redundant Power Inputs	Yes, with one power relay (1 A @ 24 VDC) for alarm		
Consumption	7.3 W (0.3 A @ 24 VDC)	9.1 W (0.38 A @ 24 VDC)	9.6 W (0.4 A @ 24 VDC)

Appearance

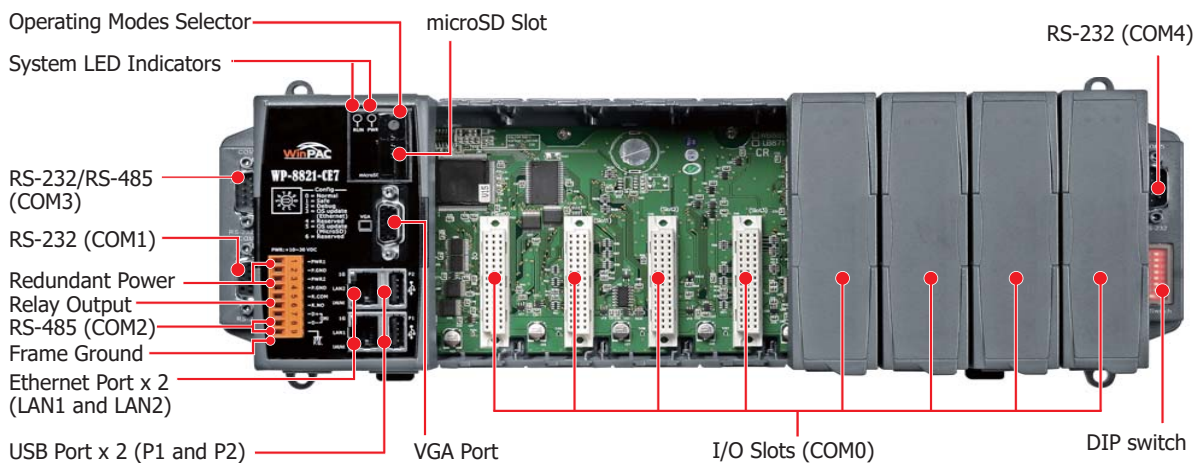
WP-8121-CE7



WP-8421-CE7

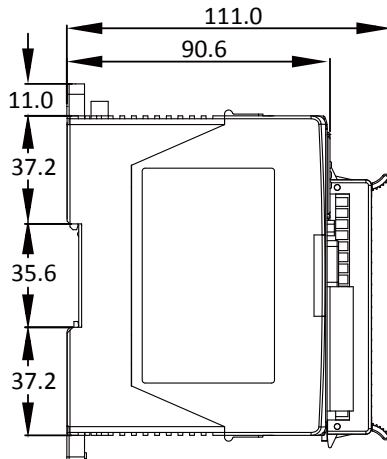


WP-8821-CE7



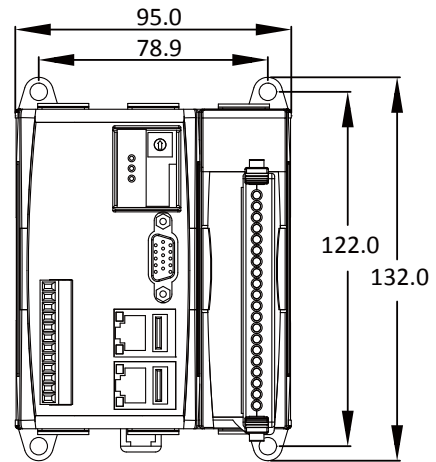
■ Dimensions (Units: mm)

WP-8121-CE7/WP-8421-CE7/WP-8821-CE7



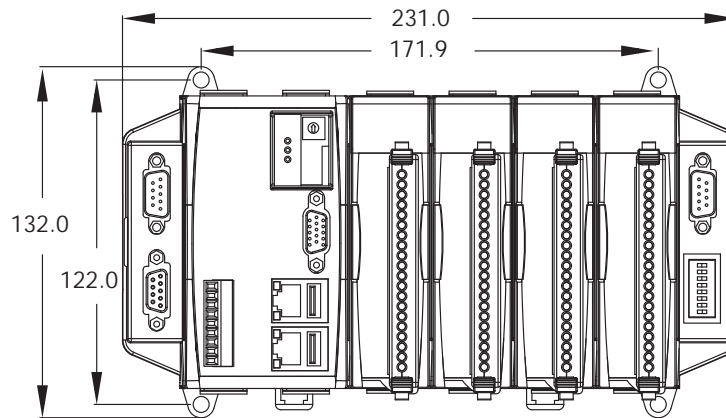
Left Side View

WP-8121-CE7



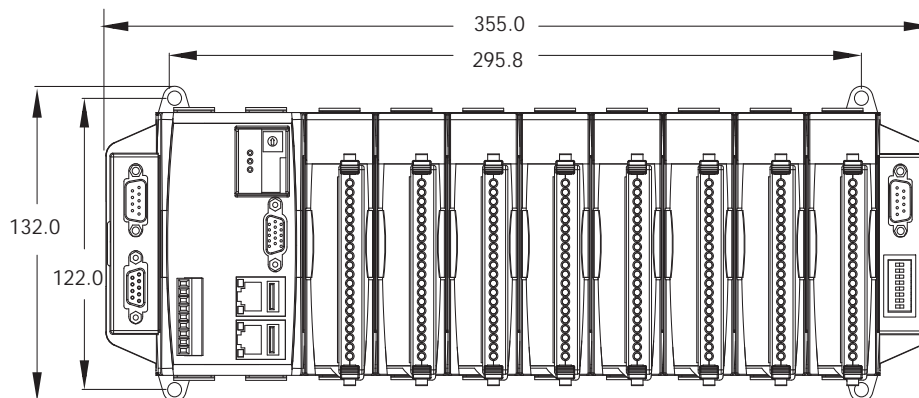
Front View

WP-8421-CE7



Front View

WP-8821-CE7



Front View

■ Ordering Information

WP-8121-CE7 CR	1-slot Standard PAC with Cortex-A8 CPU, and WinCE 7.0 (RoHS)
WP-8421-CE7 CR	4-slot Standard PAC with Cortex-A8 CPU, and WinCE 7.0 (RoHS)
WP-8821-CE7 CR	8-slot Standard PAC with Cortex-A8 CPU, and WinCE 7.0 (RoHS)